

## Casement Fasteners

A traditional bulb end design reversible Fastener available in three versions to suit both open-in and open-out, side and top hung casement windows.

The 0342 version features a deeper tongue projection which is particularly useful for open-out windows with thick weather seals or open-in windows with raised edge mouldings.



A matching Window Stay can be found on page WF2:110

### Fixings

Supplied with finish matched no.8 x 25mm wood screws.

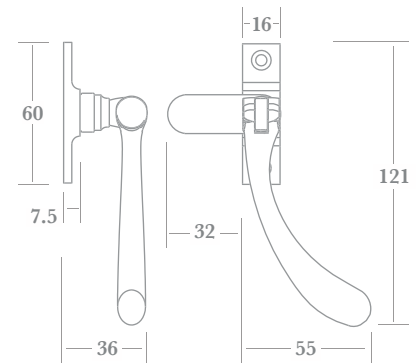
### How to Order

- 1) select FASTENER (e.g. **0342**)
- 2) add FRAME PLATE/STRIKE (e.g. **0342RS**)
- 3) add FINISH (e.g. **0342RS/PC**).

**Finishes** - See our price list or website for finish availability.



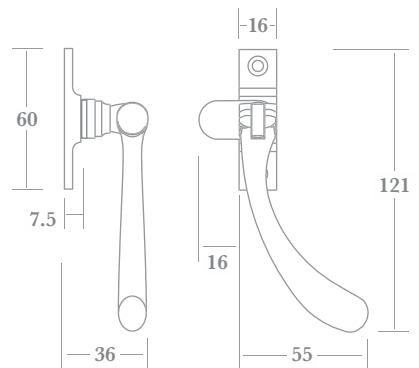
long tongue version designed for open-in windows



▲ **0339** supplied with either a hook plate **HP** or rim strike **RS** (see below)



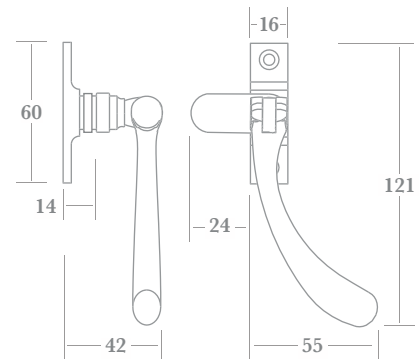
short tongue version for either open-in or open-out windows with narrow stiles



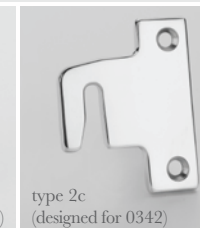
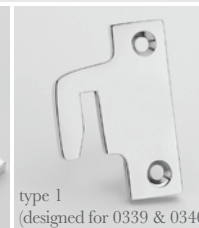
▲ **0340** supplied with either a mortice plate **MP**, hook plate **HP**, or rim strike **RS** (see below)



designed for either open-in or open-out windows



▲ **0342** supplied with either a mortice plate **MP**, hook plate **HP**, or rim strike **RS** (see below)



▲ **MP** mortice plate

▲ **HP** hook plates

▲ **RS** rim strikes

see page WF2:200 for dimensions (and to order separately if required)



Fastener type 0339 is available with an extended tongue up to 75mm long. Please contact us for coding and pricing information.

# Night Vent Handle

A traditional bulb end design Night Vent Handle with Wedge Plate featuring two vent positions for open-out, side and top hung, casement windows.

A lockable version with removable key is available which offers the facility to lock the window secure in both vent positions.



approx actual size

## Fixings

Supplied with finish matched no.8 x 25mm wood screws.

## How to Order

- 1) select HANDLE (e.g. **0330**)
- 2) choose LOCKING OPTION if required (e.g. **0330LK**)
- 3) add FINISH (e.g. **0330PB**, or **0330LK/PB**)
- 4) add HANDING (e.g. **0330PB/LH**, or **0330LK/PB/LH**).

**Finishes** - See our price list or website for finish availability.

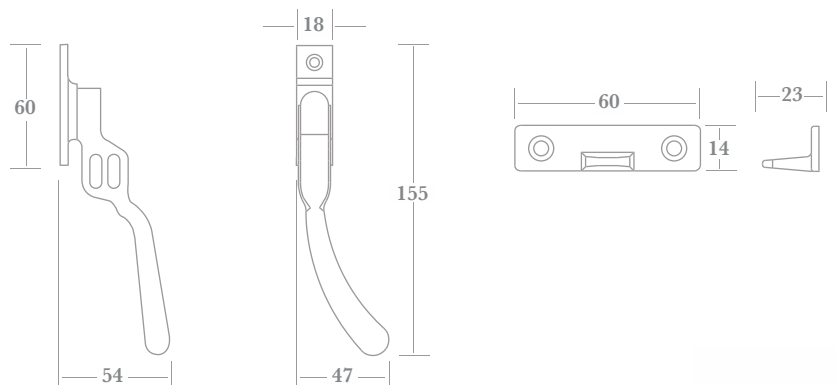
▲ **0330** (RH shown)



▲ wedge plate supplied



▲ **LK** version with nickel plated key



# Casement Fasteners

A traditional monkey tail design reversible casement Fastener available in three versions with a choice of either a mortice plate, hook plate or a rim strike to suit both open-in and open-out, side & top hung casement windows.



The 0345 version features a deeper tongue projection which is particularly useful for open-out windows with thick weather seals or open-in windows with raised edge mouldings.

A matching Window Stay can be found on page WF2:110

## Fixings

Supplied with finish matched no.8 x 25mm wood screws.

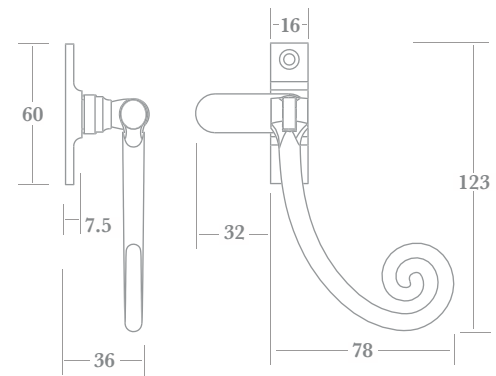
## How to Order

- 1) select FASTENER (e.g. **0345**)
- 2) add FRAME PLATE/STRIKE (e.g. **0345RS**)
- 3) add FINISH (e.g. **0345RS/PC**).

**Finishes** - See our price list or website for finish availability.



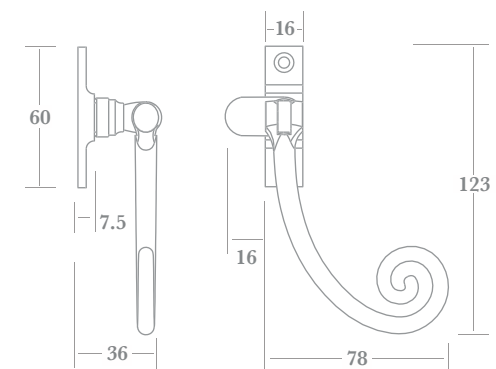
long tongue version designed for open-in windows



▲ **0343** supplied with either a hook plate **HP** or rim strike **RS** (see below)



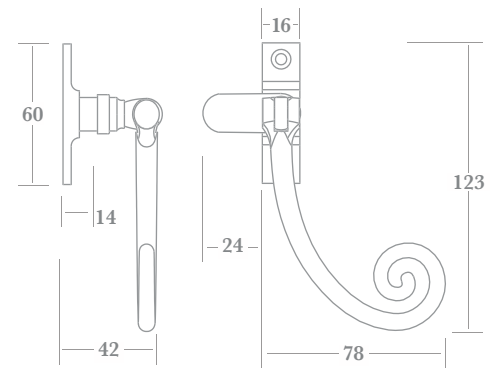
short tongue version for either open-in or open-out windows with narrow stiles



▲ **0344** supplied with either a mortice plate **MP**, hook plate **HP**, or rim strike **RS** (see below)



designed for either open-in or open-out windows



▲ **0345** supplied with either a mortice plate **MP**, hook plate **HP**, or rim strike **RS** (see below)



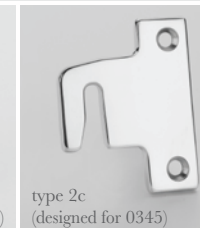
type 1 (designed for 0343 & 0344)



type 2c (designed for 0345)



type 1 (designed for 0343 & 0344)



type 2c (designed for 0345)

▲ **MP** mortice plate

▲ **HP** hook plates

▲ **RS** rim strikes

see page WF2:200 for dimensions (and to order separately if required)

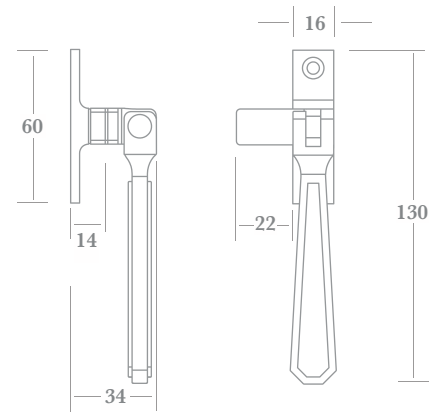


Fastener type 0343 is available with an extended tongue up to 75mm long. Please contact us for coding and pricing information.

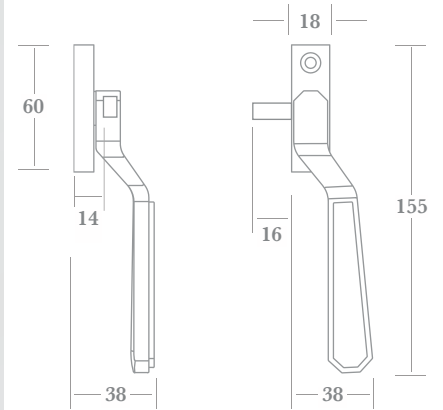
# Casement Fasteners

Two Art Deco design Fasteners, one reversible and one handed type, for both open-in and open-out side & top hung casement windows.

Both feature a deep tongue projection which is particularly useful for open-out windows with thick weather seals or open-in windows with raised edge mouldings.



▲ **9578** supplied with either a mortice plate **MP**, hook plate **HP**, or rim strike **RS** (see below)



▲ **9579** supplied with either a mortice plate **MP**, hook plate **HP**, or rim strike **RS** (see below)

A lockable version of the 9579 is available.

Matching Window Stays can be found on page WF2:110.

## Fixings

Supplied with finish matched no.8 x 25mm wood screws.

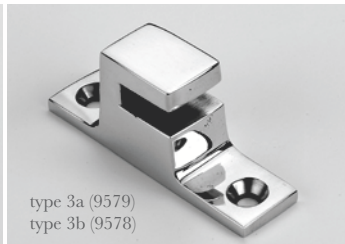
## How to Order

- 1) select FASTENER (e.g. **9579**)
  - 2) add FRAME PLATE/STRIKE (e.g. 9579**RS**)
  - 3) add FINISH (e.g. 9579**RS/PC**).
- 9579 only - add HANDING (eg. 9579**RS/PC/LH**).

**Finishes** - See our price list or website for finish availability.

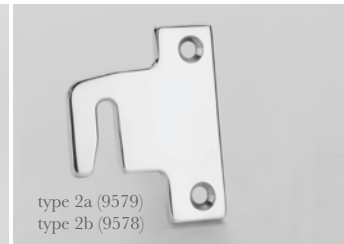


▲ **MP** mortice plate



type 3a (9579)  
type 3b (9578)

▲ **HP** hook plate



type 2a (9579)  
type 2b (9578)

▲ **RS** rim strike

see page WF2:200 for dimensions (and to order separately if required)

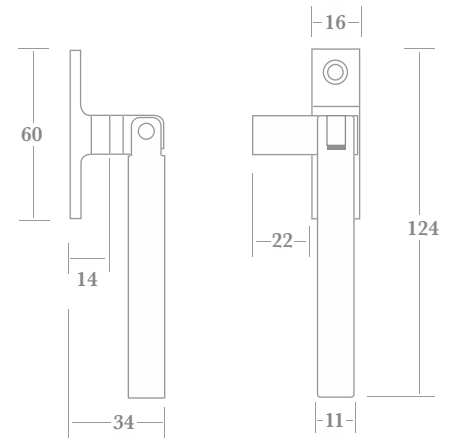


▲ **LK** version with nickel plated key (9579 only)

# Casement Fasteners

Five contemporary design reversible Fasteners for both open-in and open-out side hung casement windows.

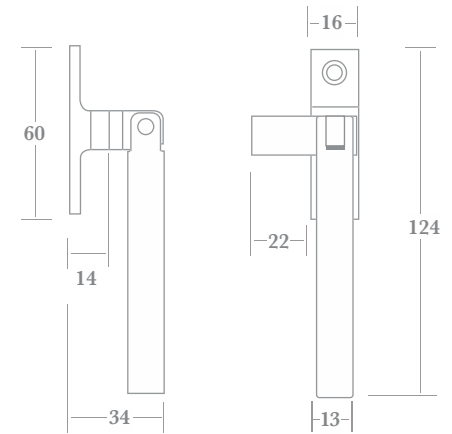
All feature a deep tongue projection which is particularly useful for open-out windows with thick weather seals or open-in windows with raised edge mouldings.



▲ **0314** supplied with either a mortice plate **MP**, hook plate **HP**, or rim strike **RS** (see below)



0310 shown  
(see alternative handle designs below)



▲ **0310-3** supplied with either a mortice plate **MP**, hook plate **HP**, or rim strike **RS** (see below)

Matching Window Stays can be found on page WF2:100.

## Fixings

Supplied with finish matched no.8 x 25mm wood screws.

## How to Order

- 1) select FASTENER (e.g. **0312**)
- 2) add FRAME PLATE/STRIKE (e.g. 0312**RS**)
- 3) add FINISH (e.g. 0312**RS/PC**).

**Finishes** - See our price list or website for finish availability.



▲ **0310**

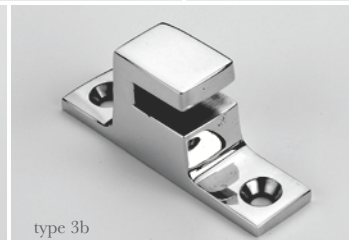
▲ **0311**

▲ **0312**

▲ **0313**



▲ **MP** mortice plate



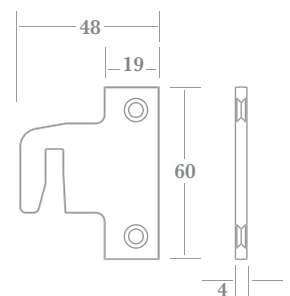
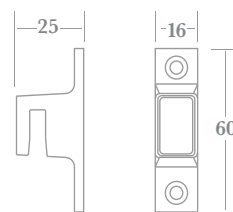
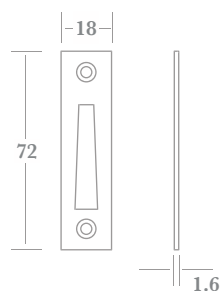
type 3b

▲ **HP** hook plate



type 2b

▲ **RS** rim strike



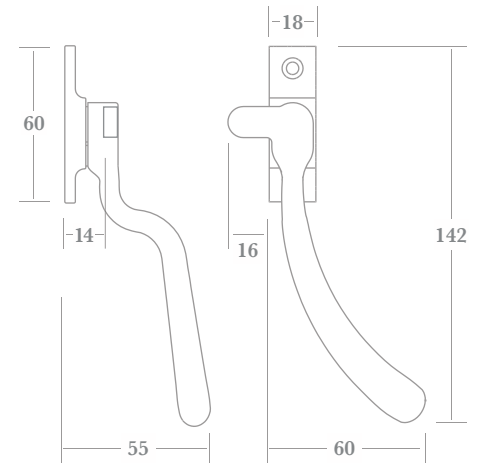
# Casement Fasteners

One traditional and two contemporary Fastener designs for open-in & open-out, side & top hung casement windows, all offered with a locking option.

They all feature a deep tongue projection particularly useful for open-out windows with thick weather seals or open-in windows with raised edge mouldings.



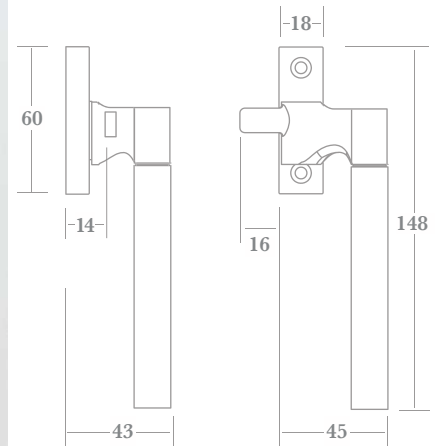
RH shown



▲ **0348** supplied with either a mortice plate **MP**, hook plate **HP**, or rim strike **RS** (see below)



RH shown



▲ **0353**

▲ **0354** supplied with either a mortice plate **MP**, hook plate **HP**, or rim strike **RS** (see below)

Lockable versions with a removable key are also available.

Matching Window Stays can be found on pages WF2:100 & 110

## Fixings

Supplied with finish matched no.8 x 25mm wood screws.

## How to Order

- 1) select FASTENER (e.g. **0353**)
- 2) add FRAME PLATE/STRIKE (e.g. **0353HP**)
- 3) choose LOCKING OPTION if required (e.g. **0353HP/LK**)
- 4) add FINISH (e.g. **0353HP/PC** or **0353HP/LK/PC**)
- 5) add HANDING (e.g. **0353HP/PC/LH** or **0353HP/LK/PC/LH**).

**Finishes** - See our price list or website for finish availability.

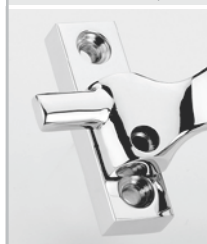


type 2a (0353/4)  
type 2b (0348)

type 2a (0353/4)  
type 2b (0348)

Fastener types 0353 & 0354 are available with an extended tongue up to 75mm long. Please contact us for coding and pricing information.

▲ **MP** mortice plate    ▲ **HP** hook plate    ▲ **RS** rim strike  
see page WF2:200 for dimensions (and to order separately if required)



▲ **LK** versions supplied with nickel plated key

# Casement Fasteners

Five classic Fastener designs for open-in & open-out, side & top hung casement windows. They all feature a deep tongue projection which is particularly useful for open-out windows with thick weather seals or open-in windows with raised edge mouldings.



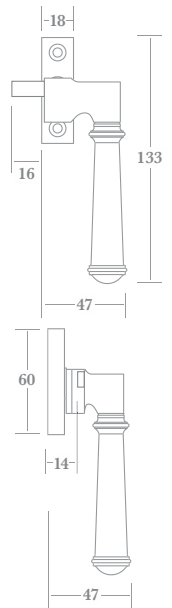
RH shown

▲ **0307**



RH shown

▲ **0309**



supplied with either a mortice plate **MP**, hook plate **HP**, or rim strike **RS** (see below)



RH shown

▲ **0301**



RH shown

▲ **0303**

Lockable versions with a removable key are also available.

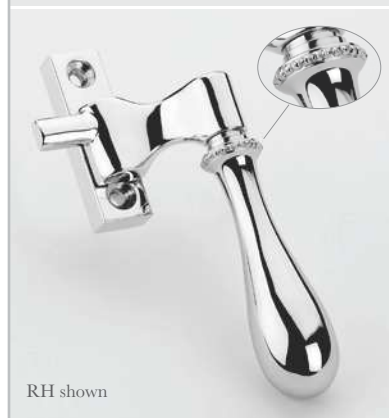
## Fixings

Supplied with finish matched no.8 x 25mm wood screws.

## How to Order

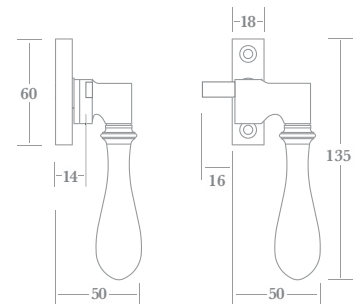
- 1) select FASTENER (e.g. **0303**)
- 2) add FRAME PLATE/STRIKE (e.g. 0303**HP**)
- 3) choose LOCKING OPTION (e.g. 0303**HP/LK**)
- 4) add FINISH (e.g. 0303**HP/PC** or 0303**HP/LK/PC**)
- 5) add HANDING (e.g. 0303**HP/PC/LH** or 0303**HP/LK/PC/LH**).

**Finishes** - See our price list or website for finish availability.

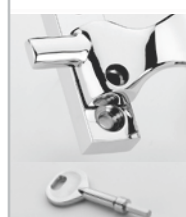


RH shown

▲ **0305**



supplied with either a mortice plate **MP**, hook plate **HP**, or rim strike **RS** (see below)



▲ **LK** version with nickel plated key



▲ Available with an extended tongue up to 75mm long. Contact us for coding/pricing.

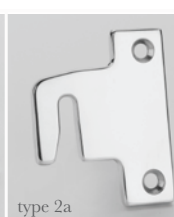


▲ **MP** mortice plate



type 2a

▲ **HP** hook plate



type 2a

▲ **RS** rim strike

see page WF2:200 for dimensions (and ordering separately)

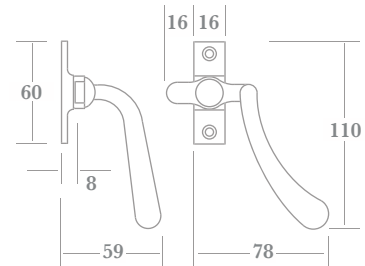
# Casement Fasteners

Two traditional period Fastener designs for open-in and open-out, side and top hung casement windows.

Matching Window Stays can be found on page WF2:110



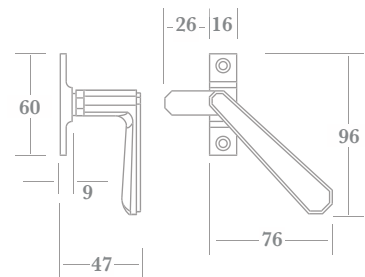
RH shown



▲ **0222** supplied with either a mortice plate **MP**, hook plate **HP**, or rim strike **RS** (see below)



RH shown



▲ **9576** supplied with either a mortice plate **MP**, hook plate **HP**, or rim strike **RS** (see below)

## Fixings

Supplied with finish matched no.8 x 25mm wood screws.

## How to Order

- 1) select FASTENER (e.g. **0222**)
- 2) add FRAME PLATE/STRIKE (e.g. **0222HP**)
- 3) add FINISH (e.g. **0222HP/PC**)
- 4) add HANDING (e.g. **0222HP/PC/LH**)

**Finishes** - See our price list or website for finish availability.



▲ **MP** mortice plate



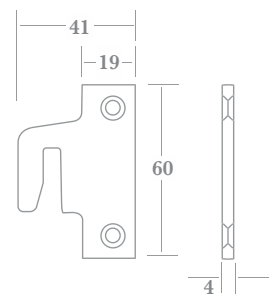
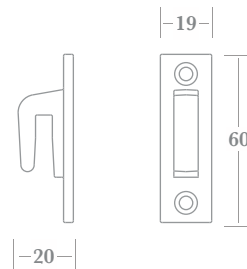
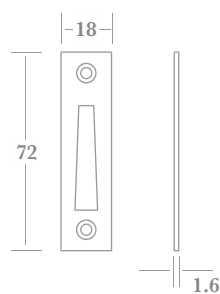
type 1

▲ **HP** hook plate



type 1

▲ **RS** rim strike



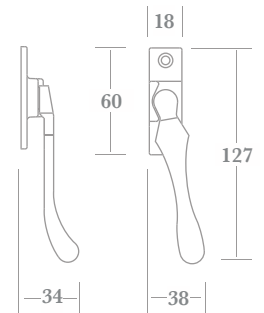


# Wedge Fasteners

Three Wedge Fastener & Strike designs for open-out side and top hung casement windows.

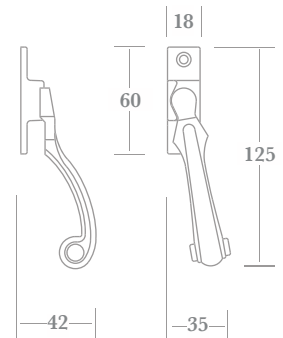
Lockable versions of 0335 & 0346 designs are available featuring a non-removable Locking Cap and separate key.

Matching Window Stays can be found on page WF2:110.



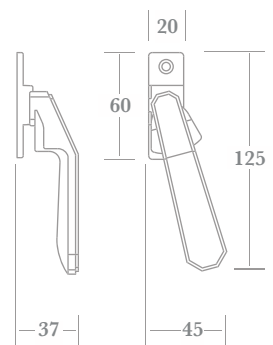
▲ 0346LK

▲ 0346



▲ 0335LK

▲ 0335



▲ 9594

## Fixings

Supplied with finish matched no.8 x 25mm wood screws.

## How to Order

- 1) select FASTENER (e.g. **0335**)
- 2) choose LOCKING OPTION if required, 0346 & 0335 only (e.g. **0335LK**)
- 3) add FINISH (e.g. 0335**PC** or 0335LK/**PC**).

**Finishes** - See our price list or website for finish availability.



▲ wedge strike



▲ LK lockable version with nickel plated key



wedge strike

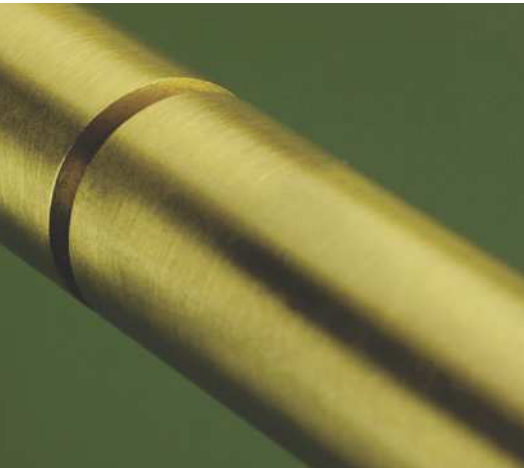


lockable wedge strike

# Casement Stays

Five contemporary design Casement Stays for open-out side & top hung windows, each supplied with two Stay Pins which locate into blind holes on the underneath of the Stay Bar.

A lockable version featuring a non-removable Locking Cap and separate key is available.



Both standard & lockable versions are available with an Extended Earplate to move the Stay Pin fixing positions away from the frame edge and a Flyscreen version which is supplied with an extra pin location hole at the very end of the Stay Bar.

Matching Fasteners can be found on pages WF2:050 & 060.

## Fixings

Supplied with finish matched no.8 x 25mm wood screws.

## How to Order

- 1) select STAY (e.g. **0395**)
- 2) choose EXTENDED MOUNT option if required (e.g. **0395EM**)
- 3) add FINISH (e.g. **0395PC** or **0395EM/PC**)
- 4) add SIZE (e.g. **0395PC/B** or **0395EM/PC/B**).

A Flyscreen version with an extra pin position is available, add FS to end of code (e.g. **0395EM/PC/B/FS**).

To order Pins separately use code **0372PIN** or **0373PIN** (e.g. **0372PIN/PC**).

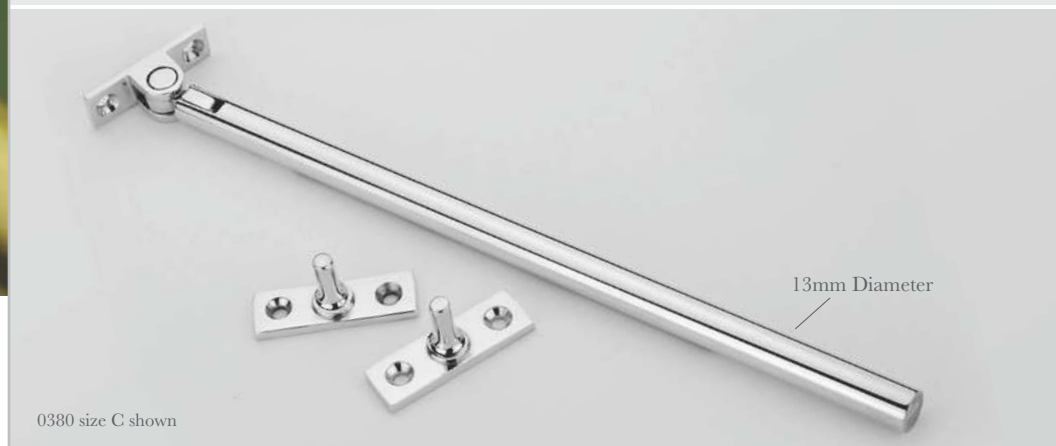
Cranked Pin and EJMA Pins are also available, please contact us for more information.

**Finishes** - See our price list or website for finish availability.



size B shown

▲ **0385 Square Bar Stay** (lockable version **0395**)



0380 size C shown

▲ **Round Bar Stay** available in four designs (see below)



▲ **0380** (lockable version **0390**)

▲ **0381** (lockable version **0391**)

▲ **0382** (lockable version **0392**)

▲ **0383** (lockable version **0393**)

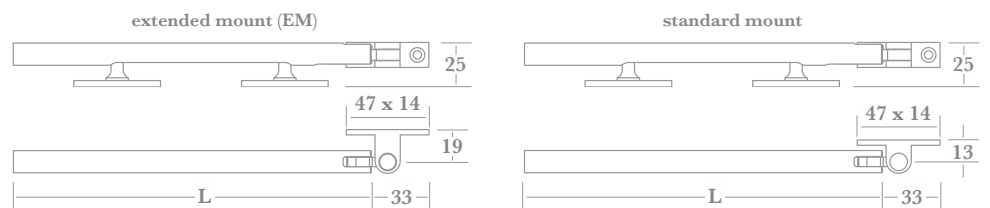


▲ **EM** extended mount

▲ lockable version

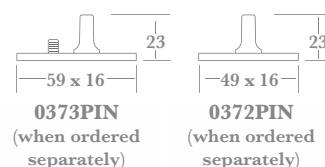
▲ **FS** flyscreen option

options available on both Square and Round Bar Stays



	A	B	C
L (length)	200	250	300
pin positions	3 hole	4 hole	5 hole

custom lengths available upon request



**0373PIN**  
(when ordered separately)

**0372PIN**  
(when ordered separately)

# Casement Stays

Four traditional period Casement Stays for open-out side & top hung windows, each supplied with two Stay Pins.  
Lockable versions featuring non-removable Locking Caps and separate keys are available.



Both standard & lockable versions are available with an Extended Earplate to move the Stay Pin fixing positions away from the frame edge.

Matching Fasteners can be found on pages WF2:010 to WF2:090.

## Fixings

Supplied with finish matched no.8 x 25mm wood screws.

## How to Order

- 1) select STAY (e.g. **0379**)
- 2) choose EXTENDED MOUNT option if required (e.g. **0379EM**)
- 3) add FINISH (e.g. **0379PC** or **0379EM/PC**)
- 4) add SIZE (e.g. **0379PC/B** or **0379EM/PC/B**).

To order Pins separately use code **0372PIN** or **0373PIN** (e.g. **0372PIN/PC**).

Cranked Pin and EJMA Pins are also available, please contact us for more information.

**Finishes** - See our price list or website for finish availability.



0372 size B shown

▲ **Traditional Pin Stay** available in four designs (see below)



▲ **0376** (lockable version **0377**)



▲ **0372** (lockable version **0373**)



▲ **0378** (lockable version **0379**)



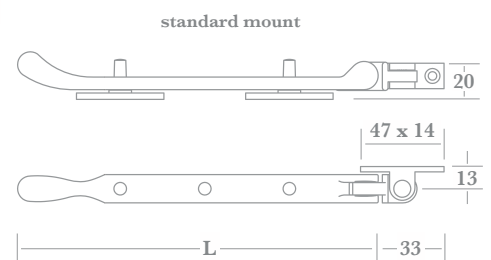
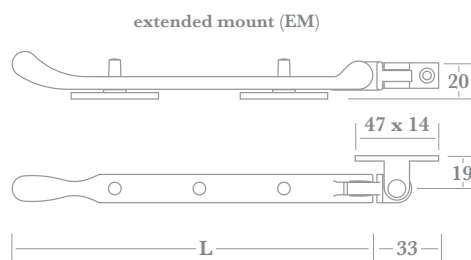
▲ **9570** (lockable version **9571**)



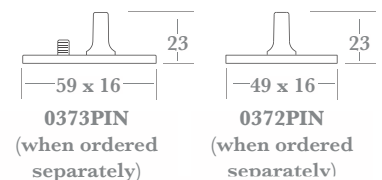
▲ **EM** extended mount



▲ lockable version with nickel plated key



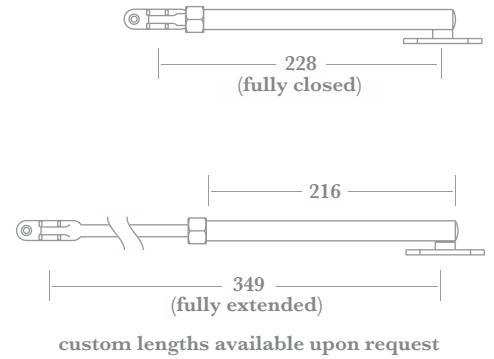
	L (length)				
Size	0372/3	0376/7	0378/9	9570/1	pin positions
A	203	212	-	-	3 hole
B	254	264	272	260	4 hole
C	305	313	322	311	5 hole



# Telescopic & Sliding Stays

A Telescopic Stay for side hung open-out casement windows, featuring an adjustable friction collar and a universal joint for self-alignment.

A selection of Sliding Stays with a choice of Gas Tap or Knurled Knob Turn designs for both open-in and open-out, side hung casement windows, all featuring a hidden wear pad to protect the Stay Bar.



▲ 1004

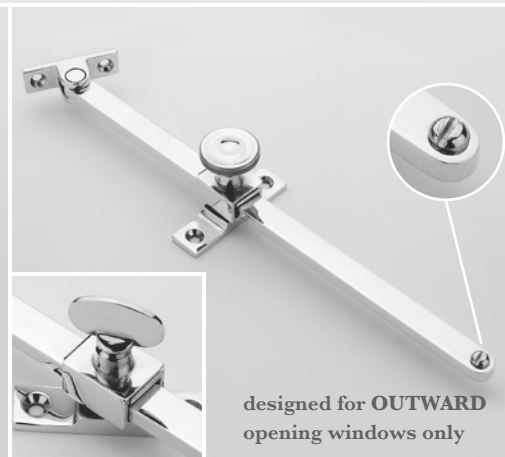


3342-4	L (length)
A	254
B	305

custom lengths available upon request

▲ 3342

▲ 3344



▲ 8015

▲ 8016

▲ 8017

▲ 8018

The 8015-8 open-out Stays are also available with a choice of End Knob and an optional Extended Mount to move the base plate fixing positions away from the frame edge.

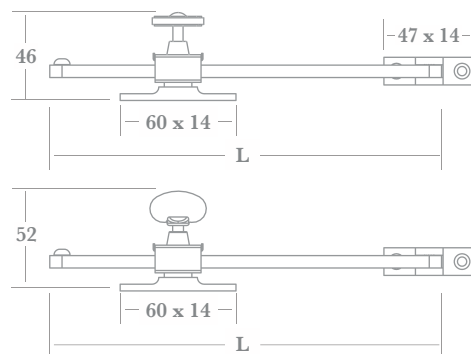
## Fixings

Supplied with finish matched no.8 x 25mm wood screws.

## How to Order

- 1) select STAY (e.g. **8017**)
- 2) 8015 - 8018, choose **EXTENDED MOUNT** option if required (e.g. **8017EM**)
- 3) add **FINISH** (e.g. **8017PC** or **8017EM/PC**)
- 4) add **SIZE**, except 1004 (e.g. **8017PC/B** or **8017EM/PC/B**).

**Finishes** - See our price list or website for finish availability.



8015-8	A	B	C
L (length)	203	254	305

custom lengths available upon request



▲ **EM** extended mount

standard mount



extended mount



# Double Arm Sliding Stay

A heavy duty, solid bronze construction, Double Arm Window Stay designed for open-in and open-out side hung casement windows, featuring a hidden wear pad to protect the Slide Bar from wear & scratches.

Custom lengths are available but, as the Stay Arms are made from sand castings, would be subject to a one-off pattern charge.



## Fixings

Supplied with finish matched no.8 x 25mm wood screws.

## How to Order

- 1) select STAY (e.g. **3328**)
- 2) add FINISH (e.g. 3328**PGA**).

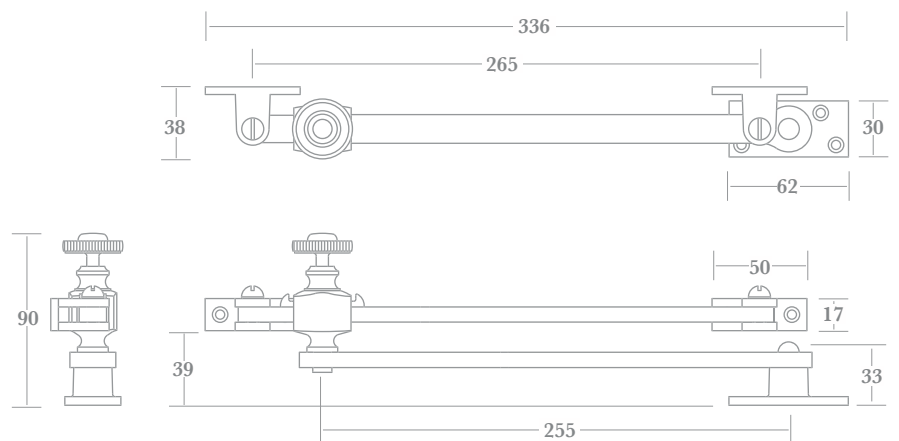
## Finishes



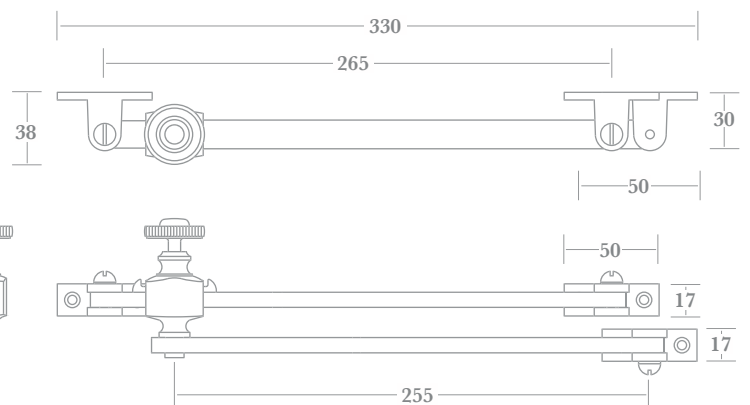
Available in all solid bronze finishes only.



- ▲ **3327** designed for OUTWARD opening windows (shown)
- 3328** designed for INWARD opening windows



**3327** OUTWARD opening

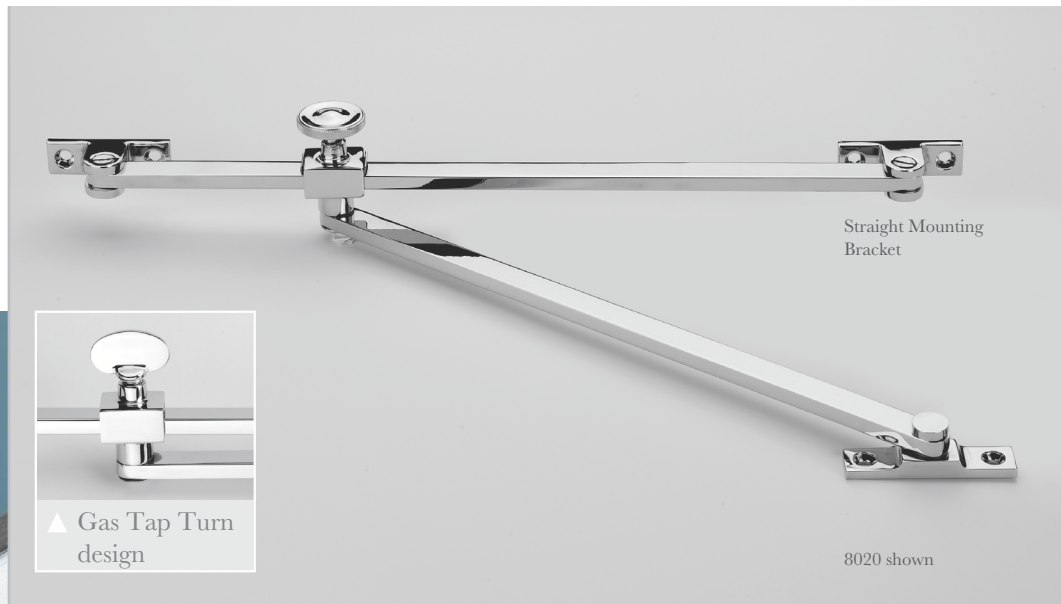


**3328** INWARD opening

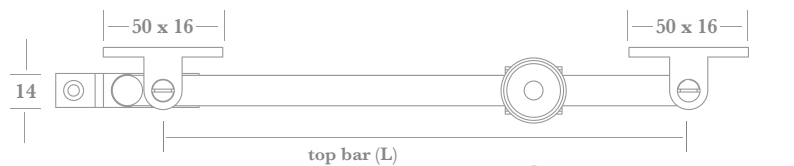
# Double Arm Sliding Stay

A Double Arm Sliding Stay with a choice of Gas Tap or Knurled Knob Turn designs for both open-in and open-out, side hung casement windows, featuring a hidden wear pad to protect the Slide Bar from wear & scratches.

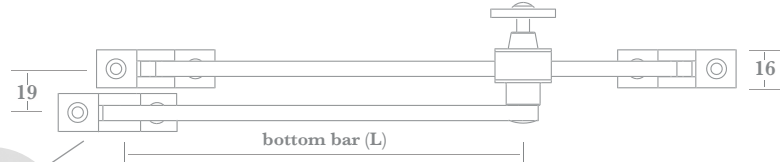
This particular Stay design incorporates Straight Mounting Brackets.



- ▲ 8020 Knurled Knob design - OUTWARD opening windows
- 8022 Knurled Knob design - INWARD opening windows
- 8024 Gas Tap design - OUTWARD opening windows
- 8026 Gas Tap design - INWARD opening windows



8020 & 8024 OUTWARD opening windows



8022 & 8026 INWARD opening windows

## Fixings

Supplied with finish matched no.8 x 25mm wood screws.

## How to Order

- 1) select STAY (e.g. 8024)
- 2) add FINISH (e.g. 8024PC)
- 3) add SIZE (e.g. 8024PC/B)

**Finishes** - See our price list or website for finish availability.

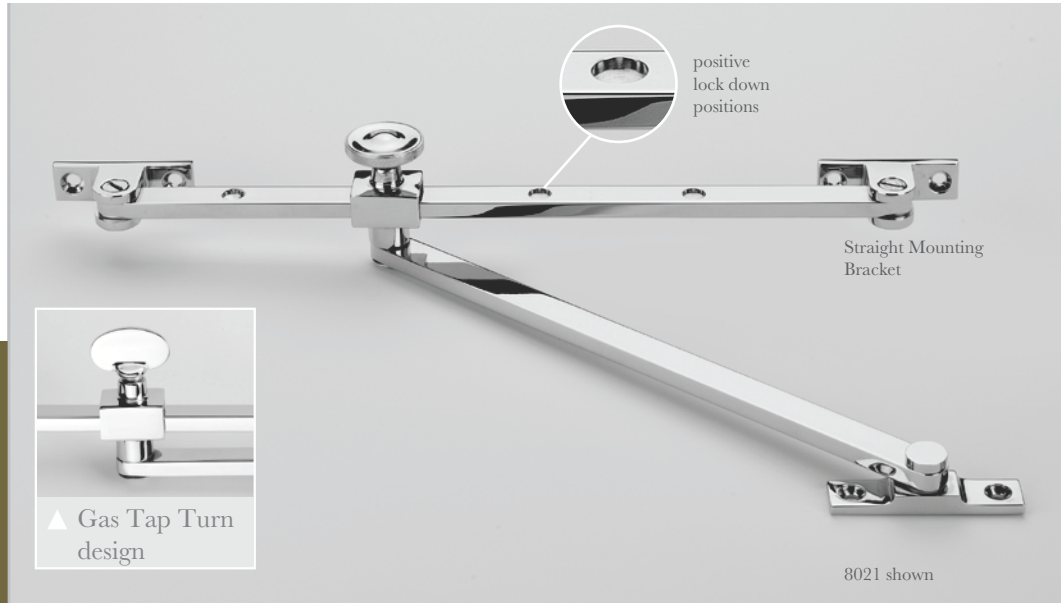
	A	B	C
top bar (L)	220	270	320
bottom bar (L)	170	225	275

custom lengths available upon request

# Double Arm Sliding Stay

A Double Arm Sliding Stay with a choice of Gas Tap or Knurled Knob Turn designs for both open-in and open-out, side hung casement windows, featuring positive lock down positions on the Stay Bar.

This particular Stay design incorporates Straight Mounting Brackets.



- ▲ **8021** Knurled Knob design - OUTWARD opening windows
- 8023** Knurled Knob design - INWARD opening windows
- 8025** Gas Tap design - OUTWARD opening windows
- 8027** Gas Tap design - INWARD opening windows

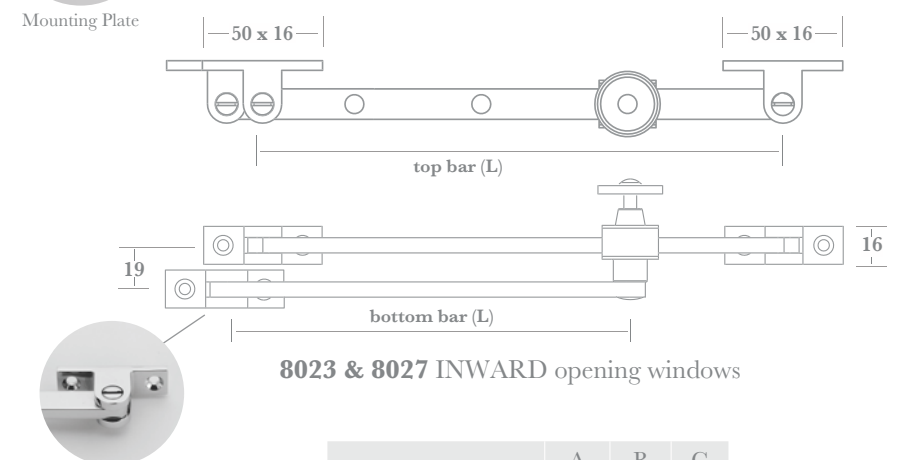
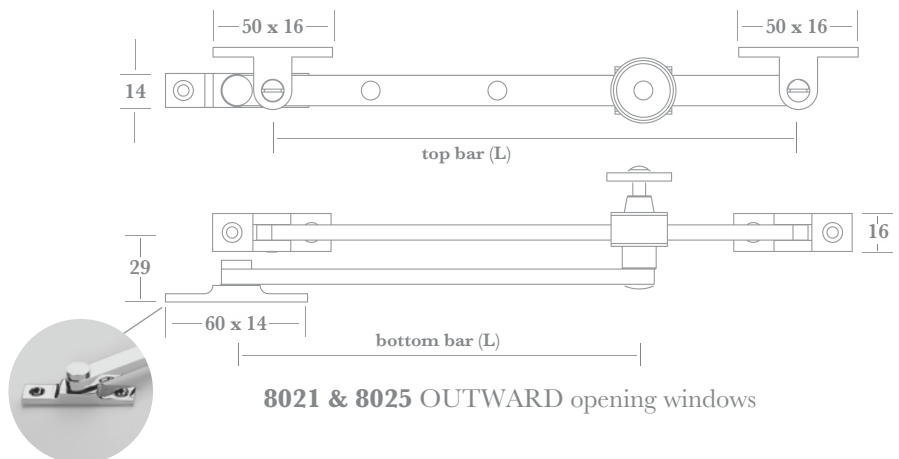
## Fixings

Supplied with finish matched no.8 x 25mm wood screws.

## How to Order

- 1) select STAY (e.g. **8021**)
- 2) add FINISH (e.g. **8021PC**)
- 3) add SIZE (e.g. **8021PC/B**).

**Finishes** - See our price list or website for finish availability.

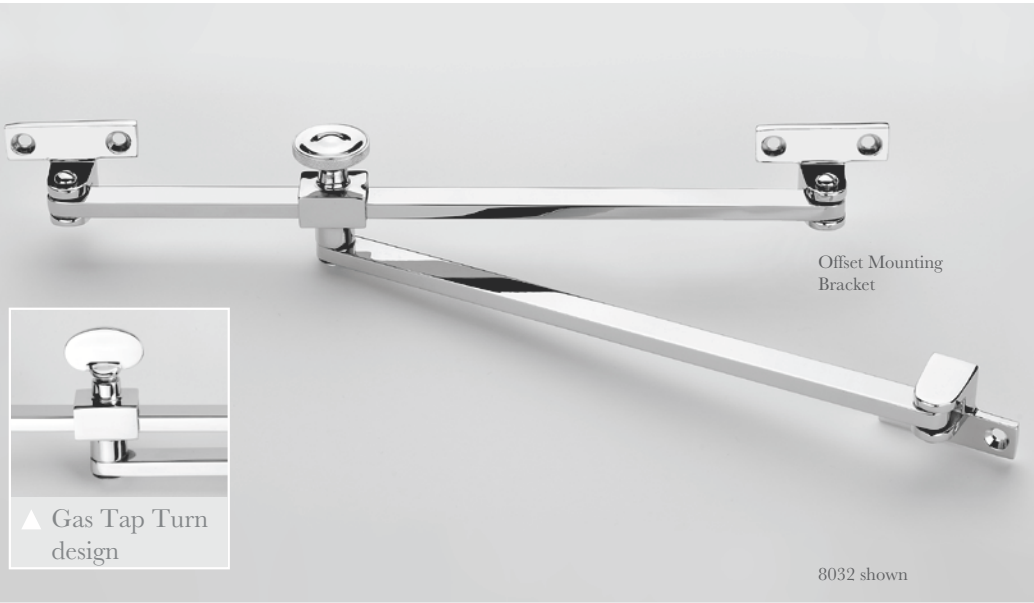


	A	B	C
top bar (L)	220	270	320
bottom bar (L)	170	225	275
Lockdown positions	3	4	5

custom lengths available upon request

# Double Arm Sliding Stay

A Double Arm Sliding Stay with a choice of Gas Tap or Knurled Knob Turn designs for both open-in and open-out, side hung casement windows, featuring a hidden wear pad to protect the Slide Bar from wear & scratches. This particular Stay design incorporates Offset Mounting Brackets.



▲ Gas Tap Turn design

Offset Mounting Bracket

8032 shown

- ▲ **8030** Knurled Knob design - OUTWARD opening windows
- 8032** Knurled Knob design - INWARD opening windows
- 8034** Gas Tap design - OUTWARD opening windows
- 8036** Gas Tap design - INWARD opening windows

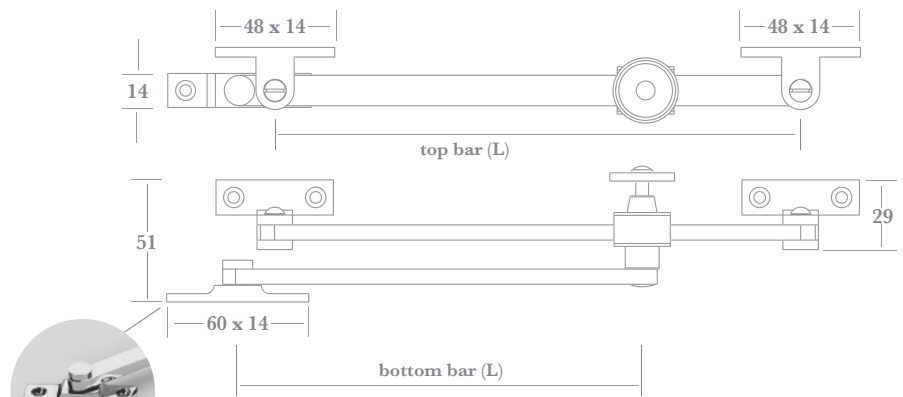
## Fixings

Supplied with finish matched no.8 x 25mm wood screws.

## How to Order

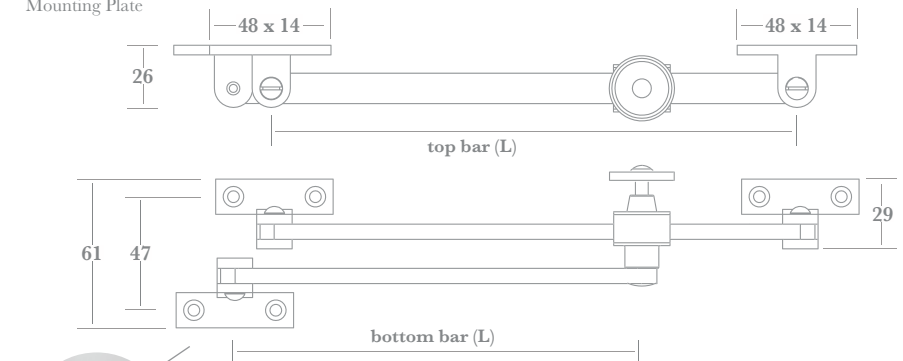
- 1) select STAY (e.g. **8034**)
- 2) add FINISH (e.g. 8034**PC**)
- 3) add SIZE (e.g. 8034**PC/B**).

**Finishes** - See our price list or website for finish availability.



Mounting Plate

**8030 & 8034** OUTWARD opening windows



Offset Mounting Bracket

**8032 & 8036** INWARD opening windows

	A	B	C
top bar (L)	220	270	320
bottom bar (L)	170	225	275

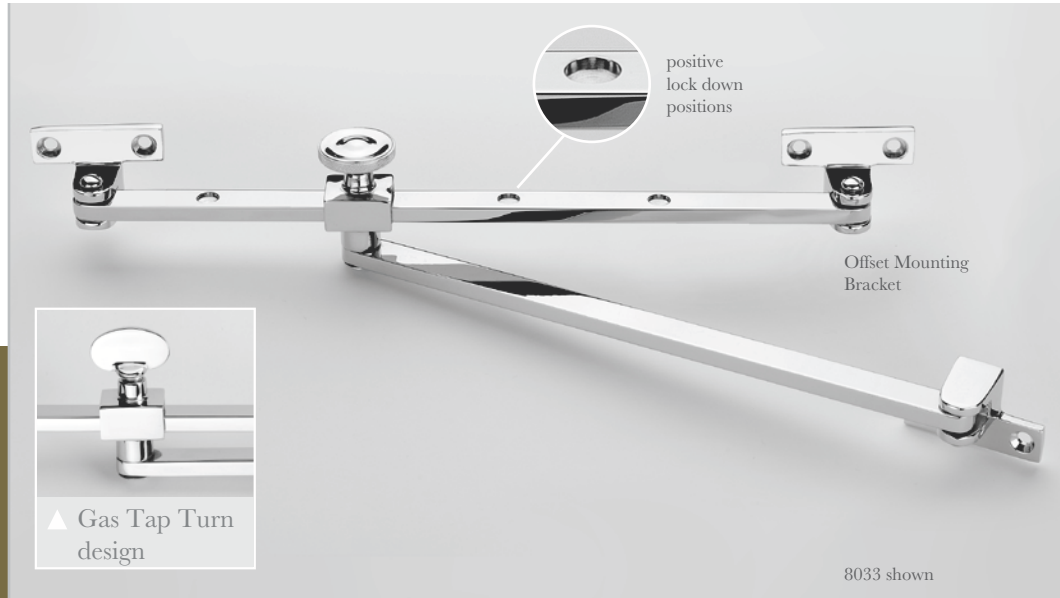
custom lengths available upon request



# Double Arm Sliding Stay

A Double Arm Sliding Stay with a choice of Gas Tap or Knurled Knob Turn designs for both open-in and open-out, side hung casement windows, featuring positive lock down positions on the Stay Bar.

This particular Stay design incorporates Offset Mounting Brackets.



- ▲ 8031 Knurled Knob design - OUTWARD opening windows
- 8033 Knurled Knob design - INWARD opening windows
- 8035 Gas Tap design - OUTWARD opening windows
- 8037 Gas Tap design - INWARD opening windows



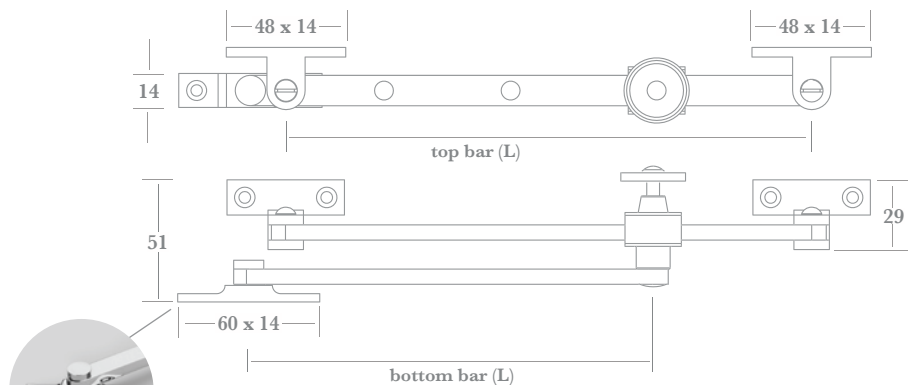
## Fixings

Supplied with finish matched no.8 x 25mm wood screws.

## How to Order

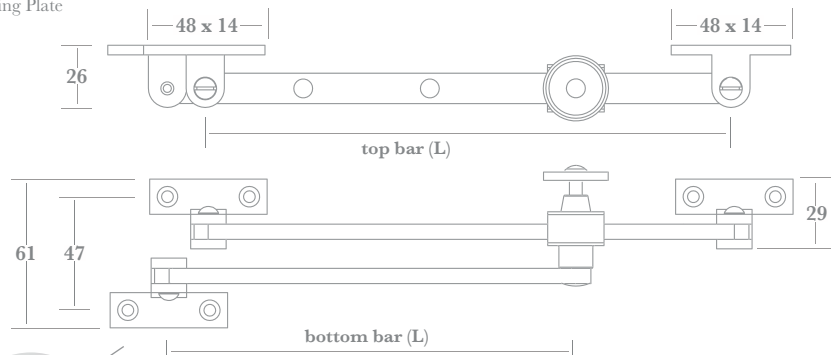
- 1) select STAY (e.g. 8031)
- 2) add FINISH (e.g. 8031PC)
- 3) add SIZE (e.g. 8031PC/B).

**Finishes** - See our price list or website for finish availability.



8031 & 8035 OUTWARD opening windows

Mounting Plate



8033 & 8037 INWARD opening windows

Offset Mounting Bracket

	A	B	C
top bar (L)	220	270	320
bottom bar (L)	170	225	275
Lockdown positions	3	4	5

custom lengths available upon request

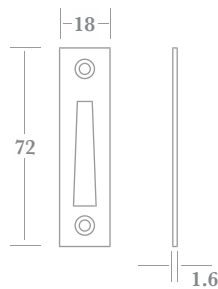
# Frame Plates, Hooks & Strikes

A selection of Frame Plates, Hooks & Strikes used on side & top hung casement windows that can be ordered separately if required.

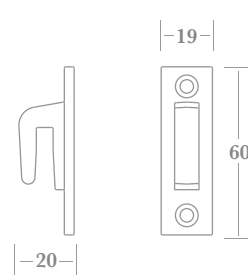
Different machined slots are used to ensure the Hook Plates and Rim Strikes line up with the fastener back plates when installed.



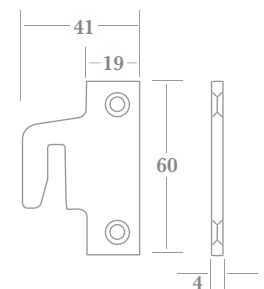
▲ **MP** Mortice Plate



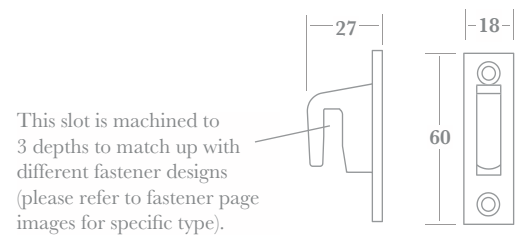
▲ **HP1** type 1 Hook Plate



▲ **RS1** type 1 Rim Strike



▲ **HP2A /HP2B/HP2C** type 2 Hook Plate



## Fixings

Supplied with finish matched no.8 x 25mm wood screws.

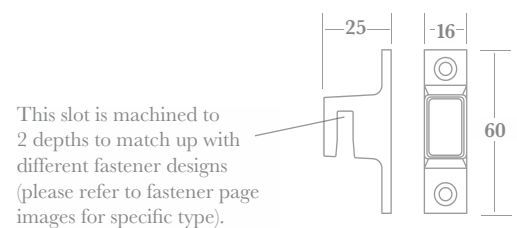
## How to Order

- 1) select FRAME PLATE/STRIKE (e.g. **HP2B**)
- 2) add FINISH (e.g. **HP2B/PB**).

**Finishes** - See our price list or website for finish availability.



▲ **HP3A/HP3B** type 3 Hook Plate



▲ **RS2A/RS2B/RS2C** type 2 Rim Strike

